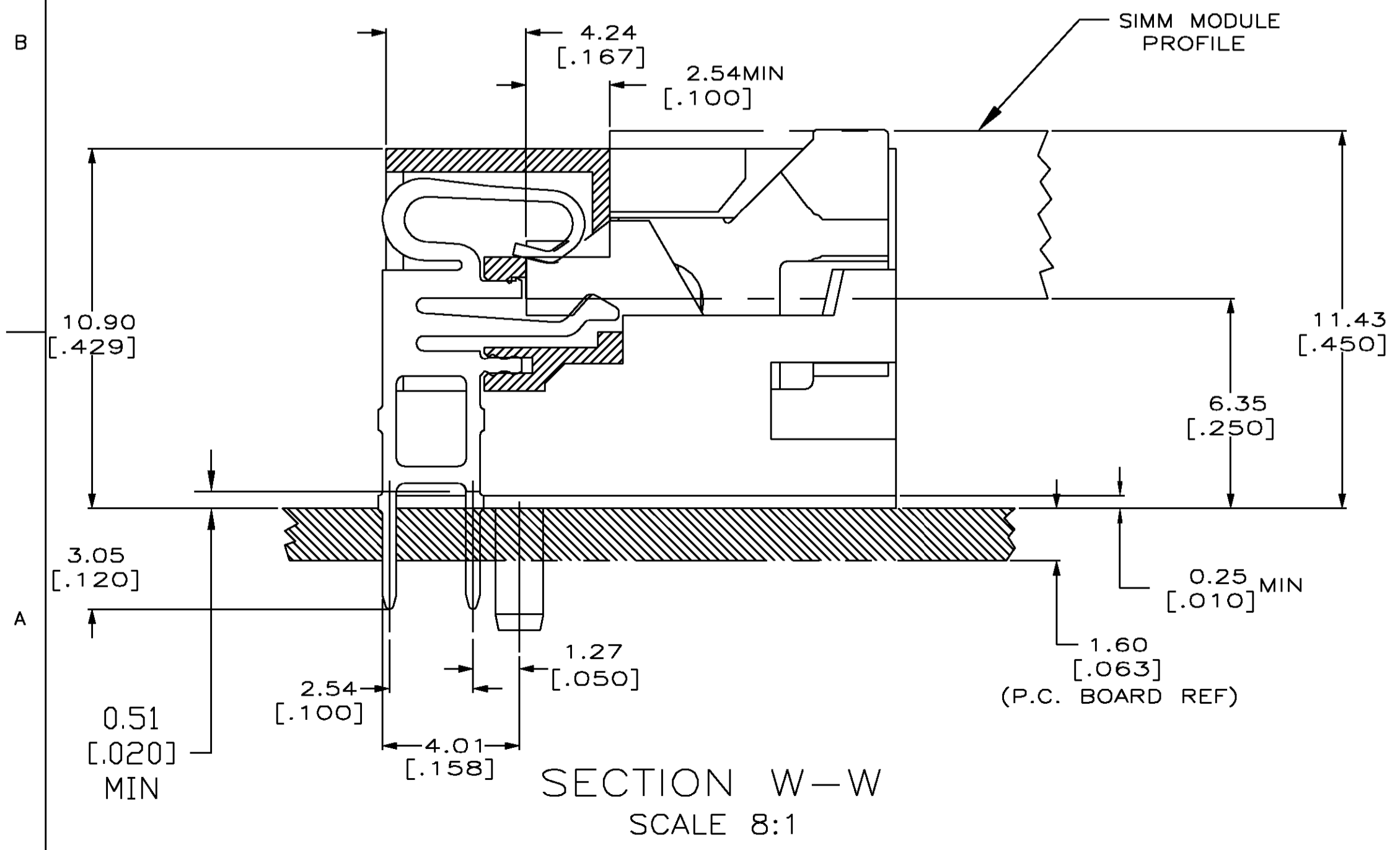
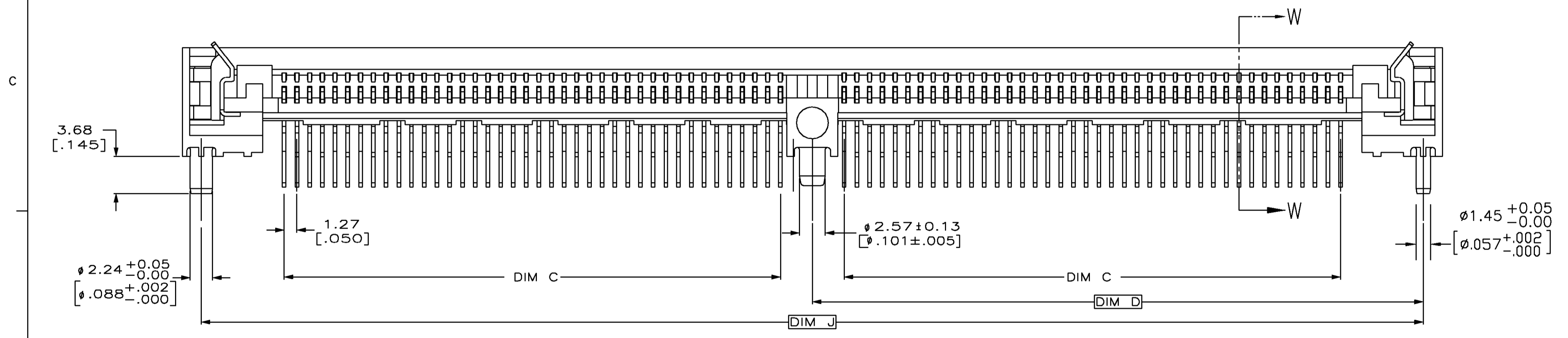
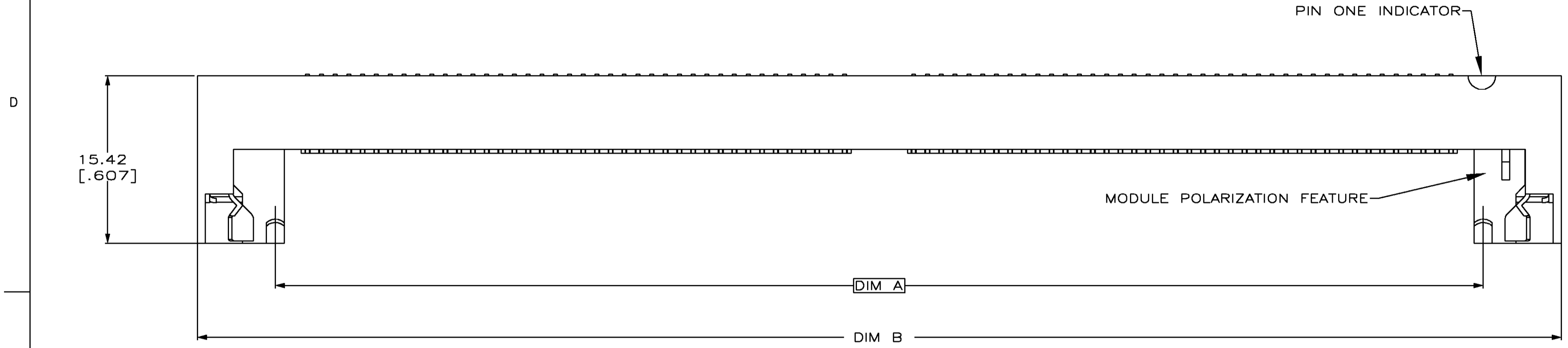


THIS DRAWING IS UNPUBLISHED.
 RELEASED FOR PUBLICATION
 COPYRIGHT © BY TYCO ELECTRONICS CORPORATION. ALL RIGHTS RESERVED.

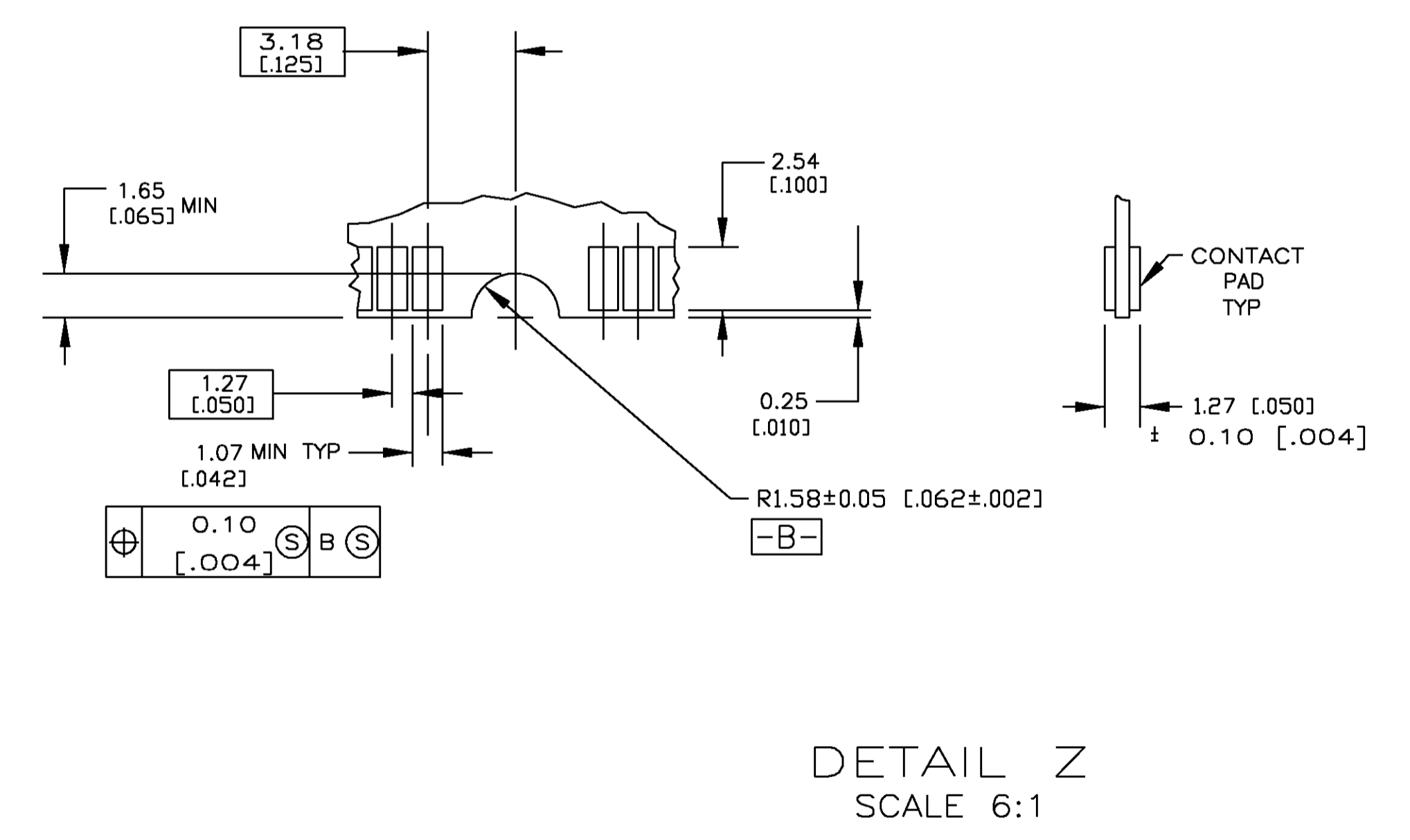
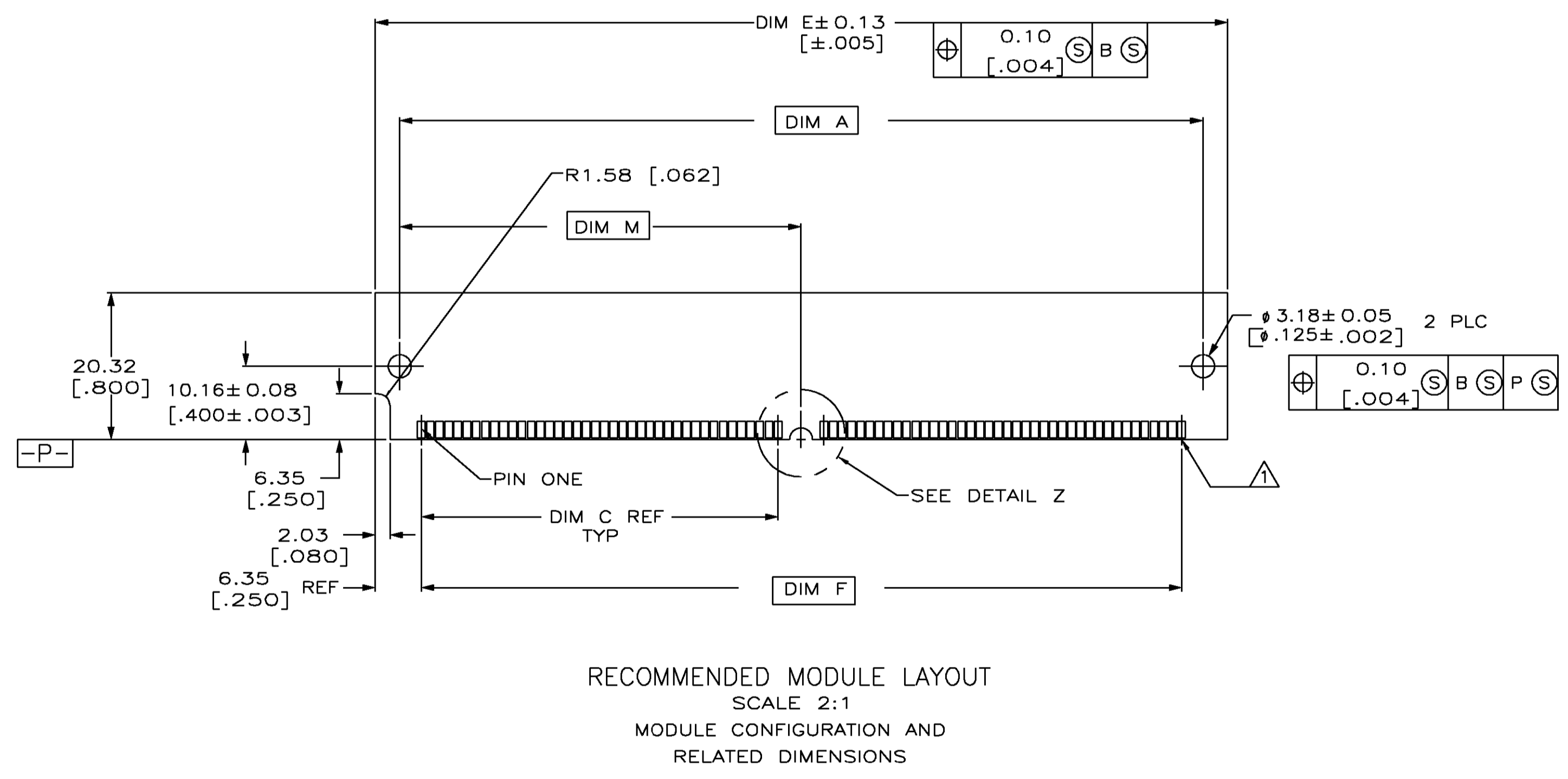
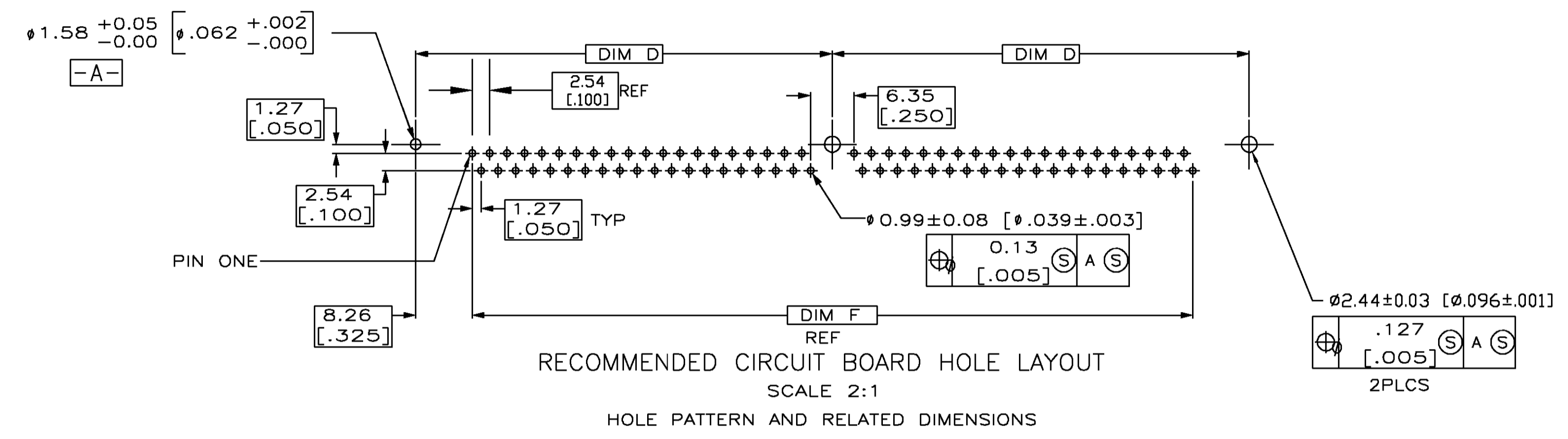
LOC		DIST		REVISONS			
GP	00	#	LR	DESCRIPTION	DATE	DR	APP
		J		REV PER EC 051D-0022-00	05JAN01	NF	JR



THIS DRAWING IS A CONTROLLED DOCUMENT.		DRW T. BILLMAN 4-9-90	AMP Tyco Electronics Corporation	
		CHK R. MILLER 4-9-90	mt. joy, pa 17552	
DIMENSIONS:		APVD E. SMITH 4-9-90	NAME	
TOLERANCES (UNLESS OTHERWISE SPECIFIED):		PRODUCT SPEC		
0 PLC	±	APPLICATION SPEC		
1 PLC	±	RESTRICTED TO		
2 PLC	±	SIZE CAGE CODE DRAWING NO		
3 PLC	±	A1 00779 382486		
4 PLC	±	SCALE 4:1 SHEET 1 OF 2 REV J		
MATERIAL HSG: GLASS REINF	FINISH	CUSTOMER DRAWING		

THIS DRAWING IS UNPUBLISHED. RELEASED FOR PUBLICATION.
 © COPYRIGHT BY TYCO ELECTRONICS CORPORATION. ALL RIGHTS RESERVED.

REVISONS		DATE	BY	APPD
GP	00			
J	SEE SHEET 1	-	-	-



OBSOLETE	58.22 [2.292]	127.00 [5.000]	110.49 [4.350]	123.19 [4.850]	63.50 [2.500]	52.07 [2.050]	130.81 [5.150]	116.43 [4.584]	84	8-382486-4
	55.68 [2.192]	121.92 [4.800]	105.41 [4.150]	118.11 [4.650]	60.96 [2.400]	49.53 [1.950]	125.73 [4.950]	111.35 [4.384]	80	8-382486-0
	50.60 [1.992]	111.76 [4.400]	95.25 [3.750]	107.95 [4.250]	55.88 [2.200]	44.45 [1.750]	115.57 [4.550]	101.19 [3.984]	72	7-382486-2
OBSOLETE	48.06 [1.892]	106.68 [4.200]	90.17 [3.550]	102.87 [4.050]	53.34 [2.100]	41.91 [1.650]	110.49 [4.350]	96.11 [3.784]	68	6-382486-8
OBSOLETE	45.52 [1.792]	101.60 [4.000]	85.09 [3.350]	97.79 [3.850]	50.80 [2.000]	39.37 [1.550]	105.41 [4.150]	91.03 [3.584]	64	6-382486-4
OBSOLETE	30.28 [1.192]	71.12 [2.800]	54.61 [2.150]	67.31 [2.650]	35.56 [1.400]	24.13 [.950]	74.93 [2.950]	60.55 [2.384]	40	4-382486-0
	DIM M	DIM J	DIM F	DIM E	DIM D	DIM C	DIM B	DIM A	POSN	

THIS DRAWING IS A CONTROLLED DOCUMENT.

DESIGNED BY: T. BILLMAN (04/80)
 CHECKED BY: R. MILLER (4-9-90)
 DRAWN BY: R. SMITH (4-12-90)

TO: POWER SUPPLY
 OTHER: SPEC: -

APPLICATION SPEC: -

MATERIAL: - FINISH: - WEIGHT: -

SIZE: A1 CAGE CODE: 00779 DRAWING NO: 382486
 SCALE: 4:1 SHEET: 2 OF 2 REV: J

AMP Tyco Electronics Corporation
 mt. Joy, pa 17552

SIMM II, RTANG,
 1.27 [.050] CL ASSY.,
 6.35 [.250] HGT